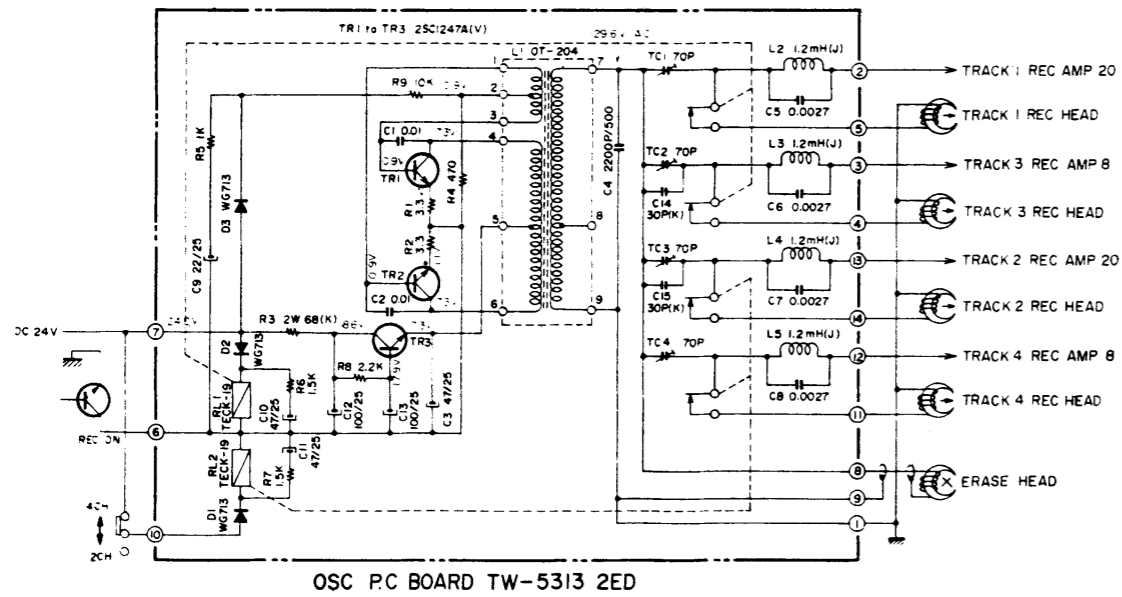
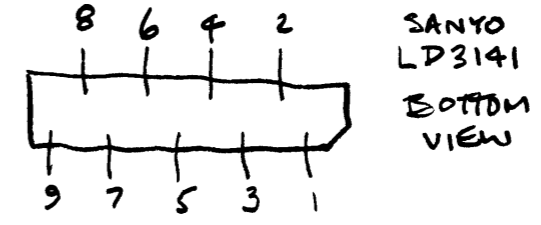
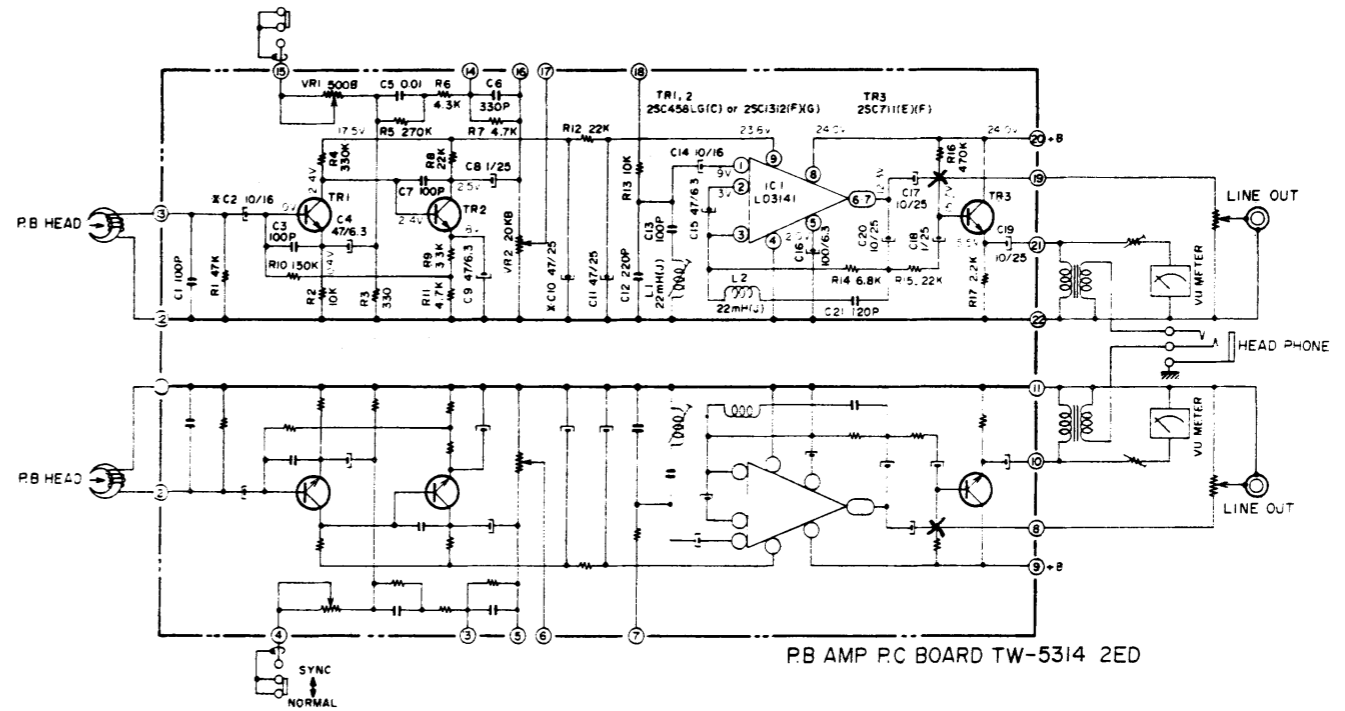
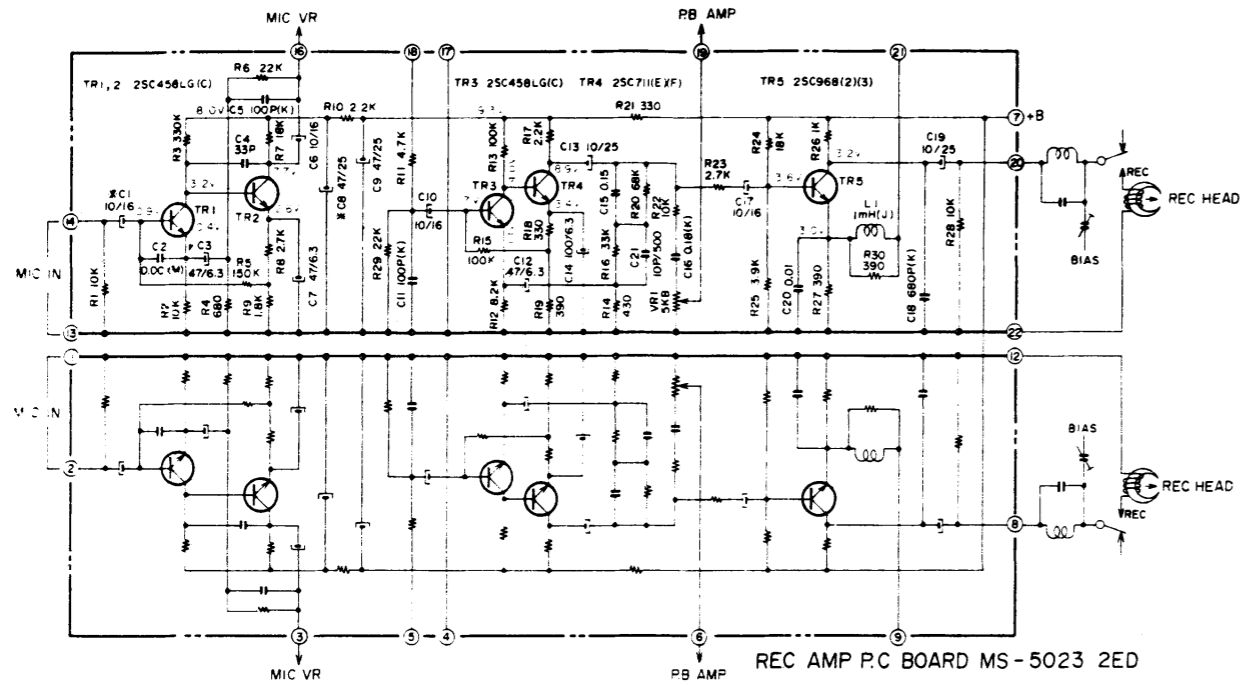
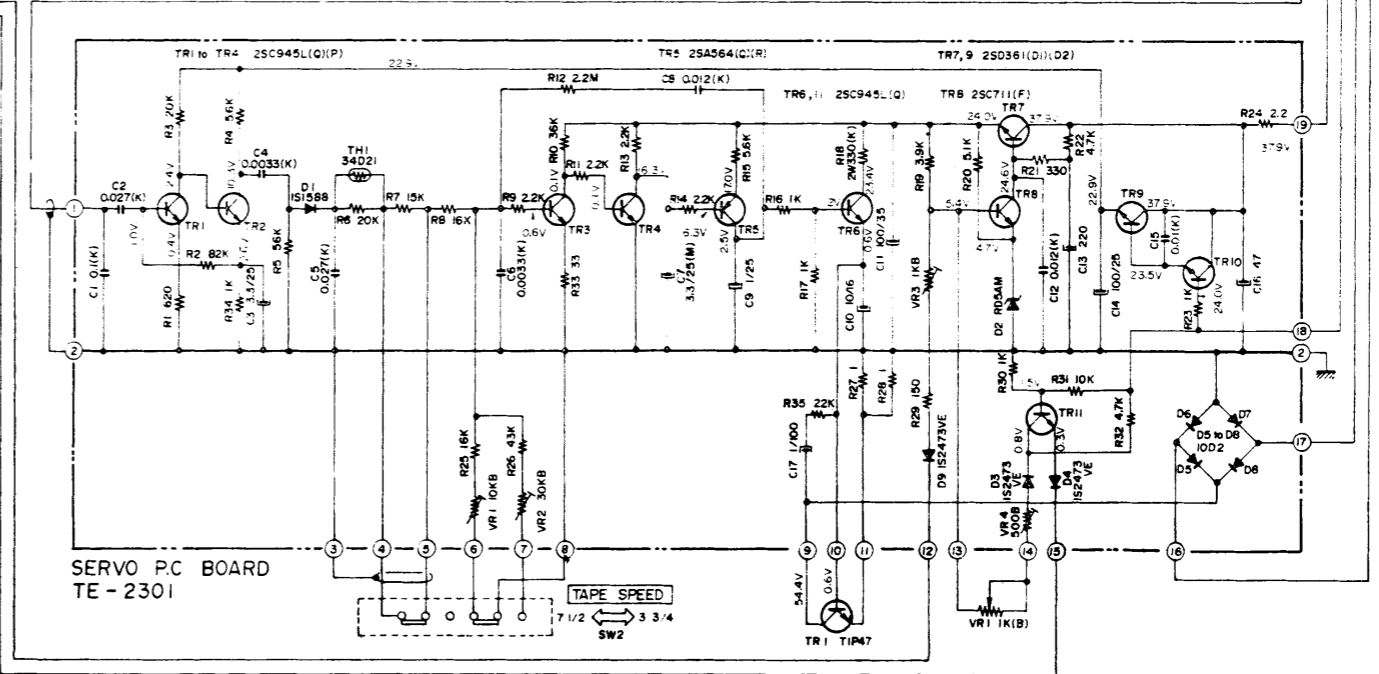
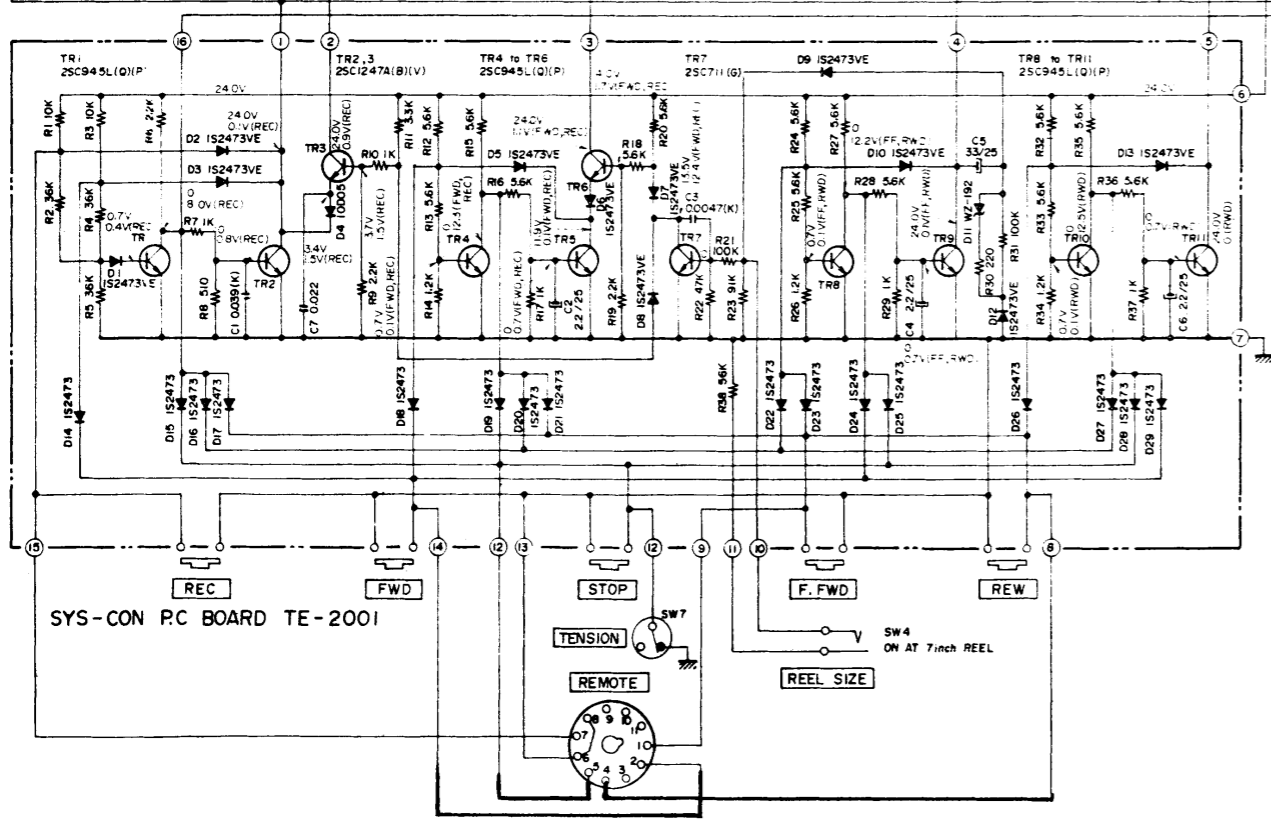
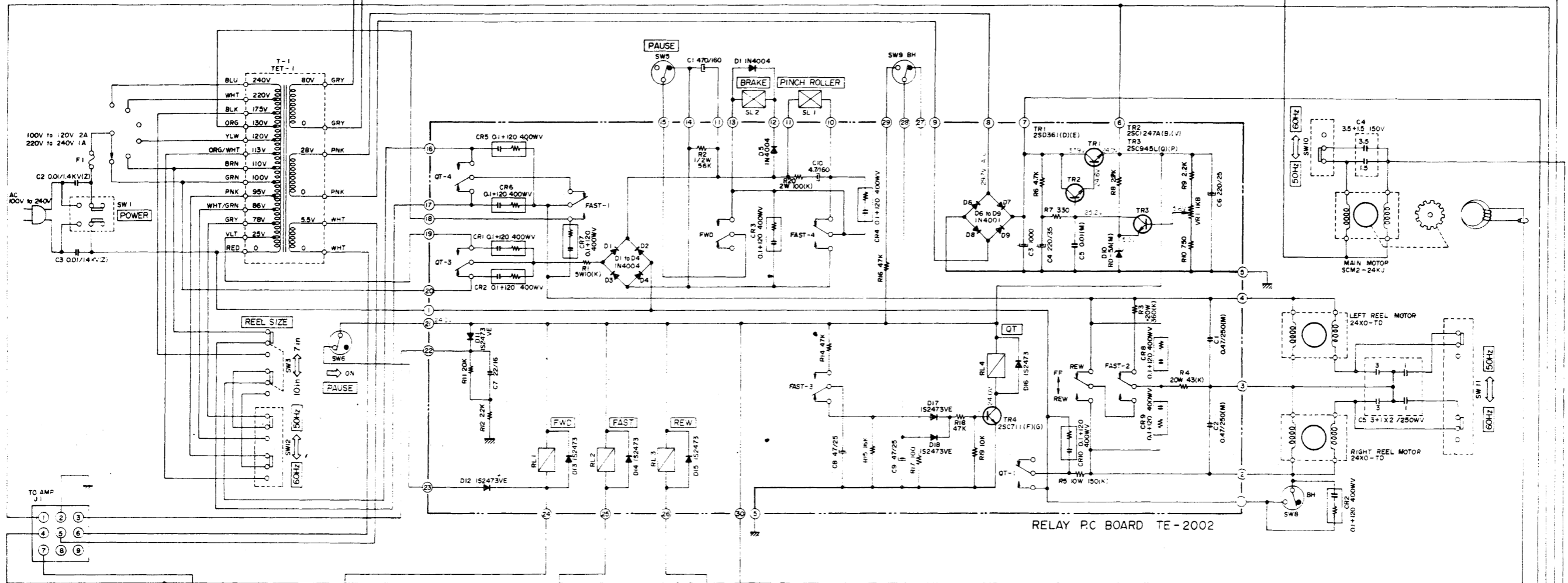


NOTE  
UNLESS OTHERWISE SPECIFIED  
ALL RESISTORS IN Ω, 1/4W(1/2)  
ALL CAPACITORS IN μF 50WV(1)



NOTE  
1. UNLESS OTHERWISE SPECIFIED  
ALL RESISTOR IN Ω 1/4W(J)  
ALL CAPACITORS IN μF 50WV(J)  
2. X MARK INDICATES LOW LEAKAGE  
CAPACITORS

GX-630D-SS  
SCHEMATIC DIAGRAM  
NO. 4-2 1501837A

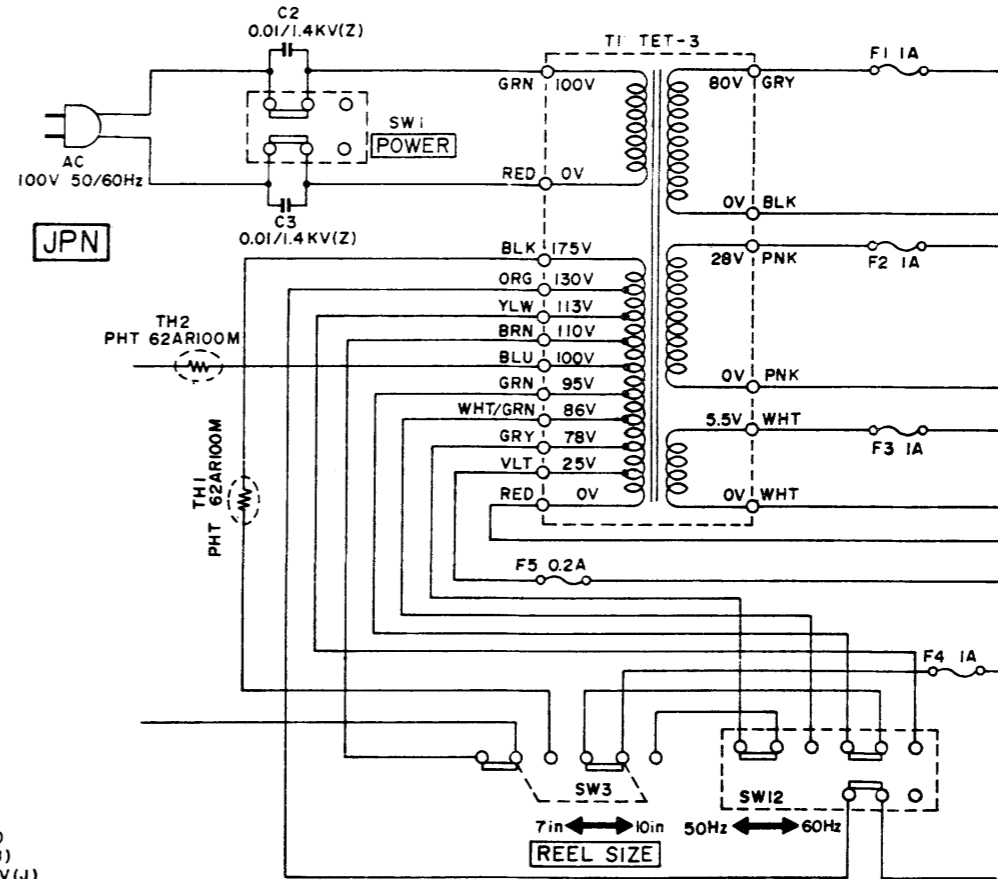
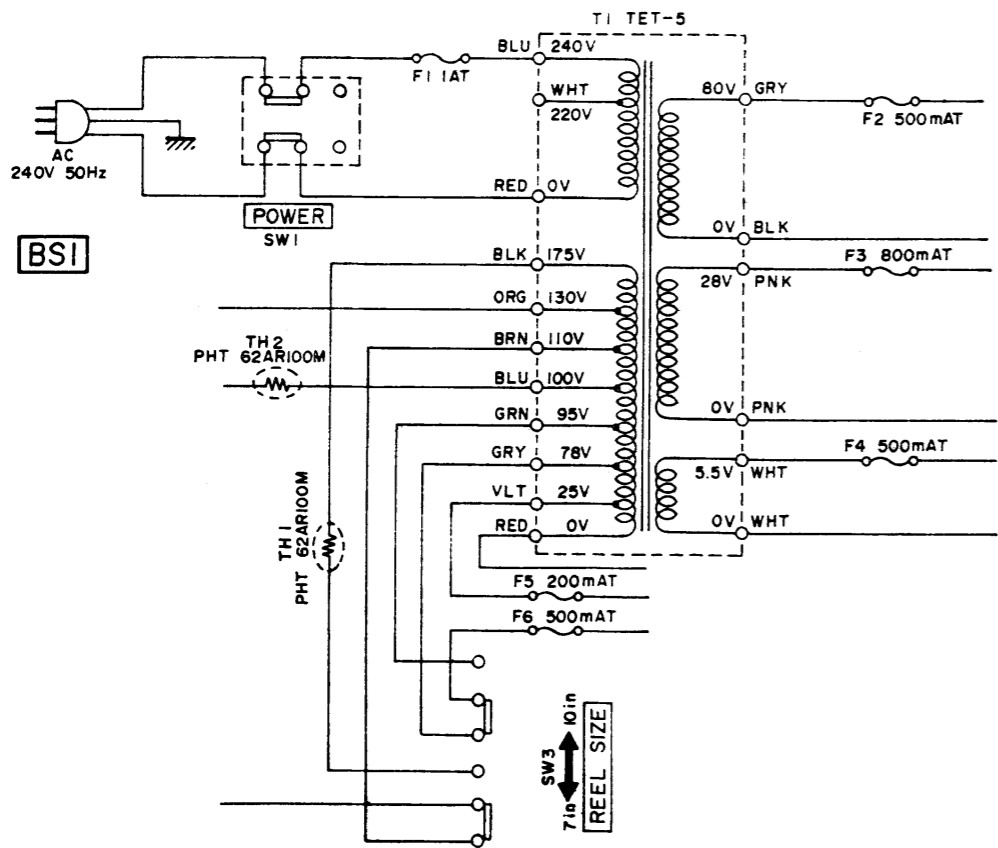
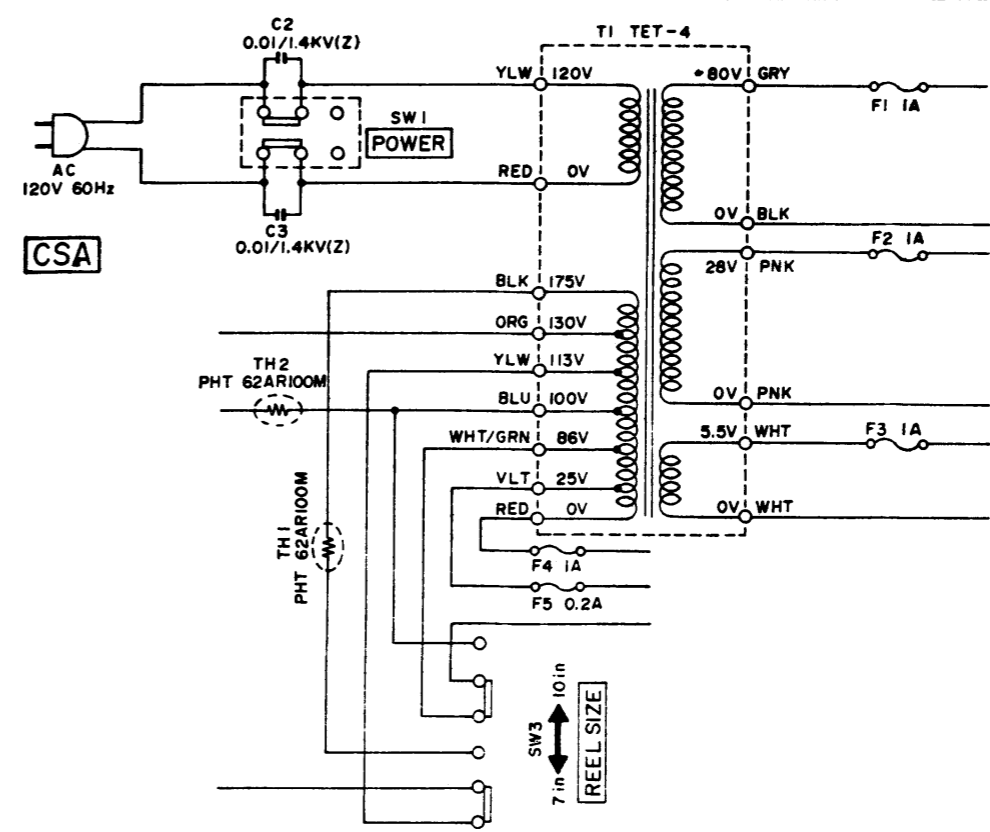
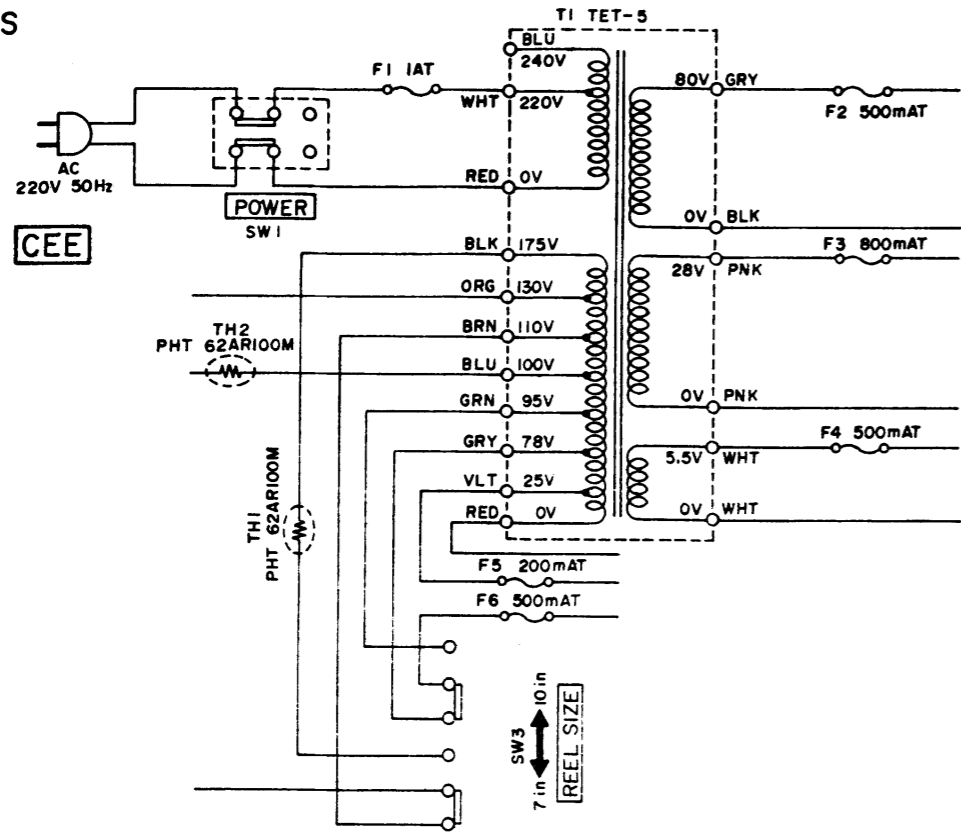


NOTE  
 1. UNLESS OTHERWISE SPECIFIED  
 ALL RESISTORS IN  $\Omega$  1/4W (J)  
 ALL CAPACITORS IN  $\mu$ F 50V (J)

GX-630D-SS  
 SCHEMATIC DIAGRAM

NO.4-3 1501838A

GX-630D-SS



NOTE  
UNLESS OTHERWISE SPECIFIED  
ALL RESISTORS IN  $\Omega$  1/4W(J)  
ALL CAPACITORS IN  $\mu$ F 50V(J)

GX-630D-SS SCHEMATIC DIAGRAM No. 4-4 1501839A